

GENERAL TECHNICAL CHARACTERISTICS

- Dielectric : Polypropylene film
- Construction : Extended double side Metallized carrier film with internal series connection and Metallized film
- Case : Solvent resistant plastic case with resin sealing .
FlaGe retardant execution (UL94V-0).
- Leads: Tinneaded insert M6 or M8 fillde with resin

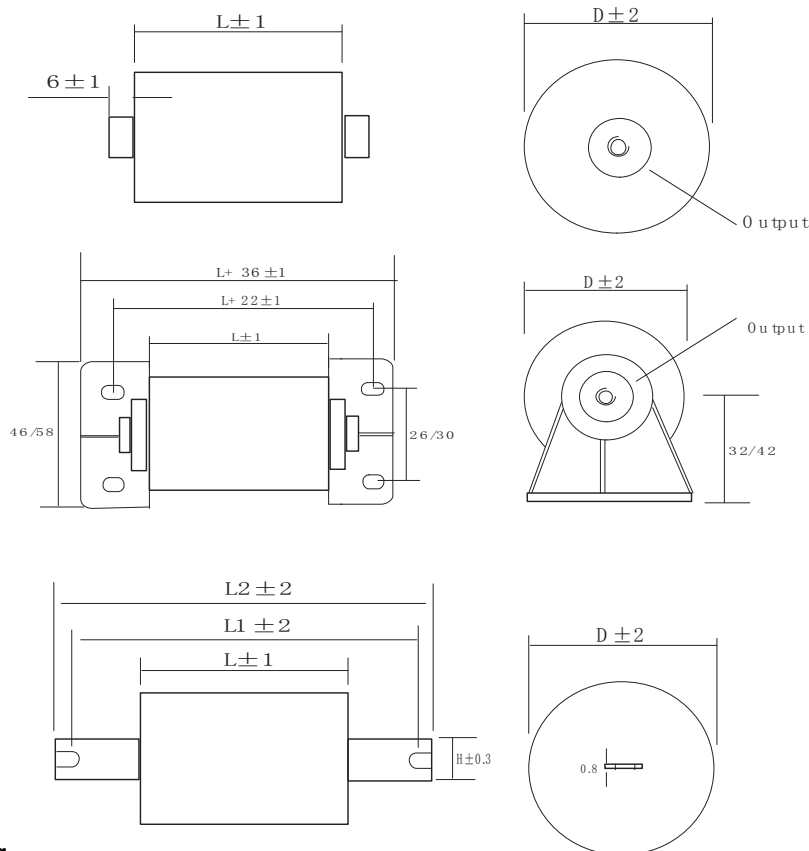
ELECTRICAL CHARACTERISTICS

- Working teperature : - 40 to + 85 °C
- Capacitance : 15 to 500µF
- Rated Voltage : 500, 1100Vdc
- Tolerance : ± 5%, ± 10%
- Dissipation factor: Geasured at 1000±20 Hz AND 25±5°C.
When $C_r \leq 1.0\mu F$, 4×10^{-4} ;
When $C_r > 1.0\mu F$, 6×10^{-4}

Life expectancy: 100,000 hours at U_n and 70°C
(Hotspot temperature)

TEST GETHODS AND PERFORNCES

- Dielectric strength: 1.5Ur (DC) applied for 10s at 25±5°C
(1 Ginute for type test)
- Insulation resistance : 3000s but need not exceed 30GΩ
(typical value), after 1 Ginute of electrification at 100Vdc (25±5°C)



Outline drawing

Article table/参数表 Terminals : nut

Part Number	Capacitance (μF)	Diameter (mm)	Length (mm)	Output	du/dt (v/ μs)	Irms max. (A)	ESR (m Ω)
Un Dc 500V Us 750V Ur 150V Ur:表示纹波电压							
DHB-500-50-40M6	50	50	40	M6	33	30	1.4
DHB-500-80-50M6	80	52	50	M6	21	31	1.6
DHB-500-100-50M6	100	58	50	M6	21	36	1.4
DHB-500-150-64M6	150	58	64	M6	16	37	1.4
DHB-500-250-64M8	250	74	64	M8	16	53	1.2
DHB-500-300-114M6	300	56	114	M6	8	37	2.7
DHB-500-500-114-M8	300	72	114	M8	8	37	1.8
Un Dc 700V Us 1050V Ur 200V							
DHB-700-10-40M6	10	35	40	M6	75	30	1.5
DHB-700-20-40M6	20	45	40	M6	70	35	1.5
DHB-700-30-40M6	30	50	40	M6	65	40	1.5
DHB-700-35-40M6	35	53	40	M6	50	40	1.6
DHB-700-40-50M6	40	45	50	M6	45	35	1.6
DHB-700-50-50M6	50	52	50	M6	33	30	1.9
DHB-700-60-50M6	60	58	50	M6	33	30	1.7
DHB-700-80-50M6	80	75	50	M6	33	40	1.4
DHB-700-100-64M6	100	60	64	M6	22	36	1.9
DHB-700-150-64M8	150	72	64	M8	22	48	1.4
DHB-700-200-114M6	200	58	114	M6	11	35	3.1
DHB-700-300-114M8	300	71	114	M8	11	50	2.2
Un Dc 900V Us 1350V Ur 250V							
DHB-900-20-40M6	20	44	40	M6	165	25	2.0
DHB-900-30-50M6	30	46	50	M6	45	25	2.4
DHB-900-40-50M6	40	52	50	M6	45	31	1.9
DHB-900-50-50M6	50	59	50	M6	30	27	2.7
DHB-900-100-64M8	100	72	64	M8	30	45	1.6
DHB-900-150-114M6	150	63	114	M6	15	36	3.3
DHB-900-200-114M8	200	71	114	M8	15	45	2.6
Un Dc 1100V US 1650V Ur 300V							
DHB-1100-15-40M6	15	51	40	M6	85	24	2.2
DHB-1100-25-50M6	25	53	50	M6	55	26	2.4
DHB-1100-40-50M6	40	67	50	M6	55	40	1.7
DHB-1100-50-64M6	50	69	64	M6	38	32	2.4
DHB-1100-80-64M8	80	77	64	M8	38	46	1.7

DHB-1100-100-114M6	100	60	114	M6	20	31	4.1
DHB-1100-150-114M8	150	73	114	M8	20	45	2.9

Part Numbering System : DHB1100150-114 M8" = style "A B C D"

How to Order:

DHB - 1100 - 100- 114 M8

